

Inductor for power line radial

『TZNL155175CA SERIES』



■ Features

- Low DC resistance and High power capacities
- Bulk packing.
- Applies to Variety of electronic equipments.

■ 特長

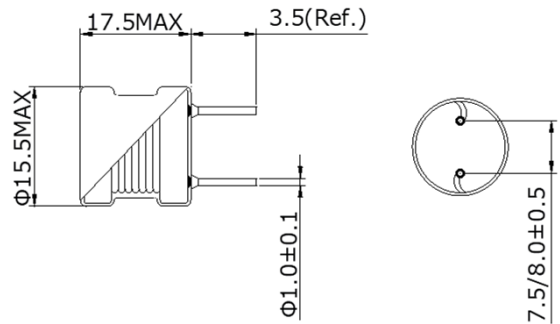
- 低抵抗、高出力。
- バルク梱包です。
- 種々の電子装置に応用出来ます。

■ Dimensios

Appearance/外観



Dimensions/形状寸法



■ Electric Specifications/電気特性

● TYPE TZNL155175CA (φ 15.5mm × 17.5mm Hight)

DSC Part Number	Inductance (μH)	公差	DC Resistance (Ω) MAX	Rated current (A) MAX
TZNL155175CA- 100	10	±20%	0.015	10.0
TZNL155175CA- 120	12		0.016	9.60
TZNL155175CA- 150	15		0.018	9.00
TZNL155175CA- 180	18		0.020	8.60
TZNL155175CA- 220	22		0.023	8.20
TZNL155175CA- 270	27		0.029	7.10
TZNL155175CA- 330	33	±10%	0.033	6.40
TZNL155175CA- 390	39		0.039	5.70
TZNL155175CA- 470	47		0.046	5.20
TZNL155175CA- 500	50		0.049	5.00
TZNL155175CA- 560	56		0.059	4.90
TZNL155175CA- 680	68		0.066	4.70
TZNL155175CA- 820	82		0.081	4.30
TZNL155175CA- 101	100		0.090	4.00
TZNL155175CA- 151	150		0.14	3.00
TZNL155175CA- 221	220		0.20	2.50
TZNL155175CA- 331	330	0.28	2.00	
TZNL155175CA- 471	470	0.41	1.50	
TZNL155175CA- 202	2,000	1.45	0.83	

■ Conditions/測定条件

(1)The rated DC current is that which cause a 10% inductance reduction from the initial value or inductor surface temperature to rise by 20°C, whichever is smaller.

定格電流は、インダクタンスが初期値から10%低下又は、表面温度が20°C上昇のいずれか小さい方の値です。

(2)The measuring frequency and surroundngs temperature are 100 kHz and 25°C, respectively.

測定周波数: 100kHz。測定周囲温度: 25°C。