

# Inductor for power line radial

## 『TZNL105125CA SERIES』



### ■ Features

- Low DC resistance and High power capacities
- Bulk and taping packaging
- Applies to Variety of electronic equipments.

### ■ 特長

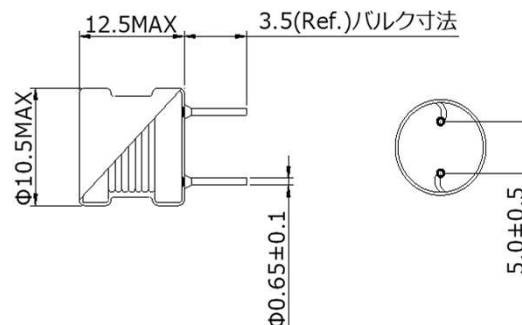
- 低抵抗、高出力。
- バルク及び、テーピング梱包です。
- 種々の電子装置に応用出来ます。

### ■ Dimensios

Appearance/外觀



Dimensions/形状寸法



### ■ Electric Specifications/電気特性

#### ● TYPE TZNL105125CA (φ 10.5mm × 12.5mm High)

DSC Part Number	Inductance (μH)		DC Resistance (Ω) MAX	Rated current (A) MAX
		公差		
TZNL105125CA- 1R2	1.2	±20%	0.005	6.50
TZNL105125CA- 2R2	2.2		0.010	6.00
TZNL105125CA- 3R3	3.3		0.011	5.50
TZNL105125CA- 4R7	4.7		0.015	4.20
TZNL105125CA- 8R2	8.2		0.021	3.80
TZNL105125CA- 100	10	±10%	0.030	4.00
TZNL105125CA- 120	12		0.033	4.00
TZNL105125CA- 150	15		0.034	3.00
TZNL105125CA- 180	18		0.040	2.50
TZNL105125CA- 220	22		0.045	2.50
TZNL105125CA- 270	27		0.054	2.30
TZNL105125CA- 330	33		0.072	2.10
TZNL105125CA- 390	39		0.080	1.80
TZNL105125CA- 470	47		0.087	1.90
TZNL105125CA- 560	56		0.10	1.50
TZNL105125CA- 680	68		0.11	1.40
TZNL105125CA- 820	82		0.15	1.20
TZNL105125CA- 101	100		0.18	1.10
TZNL105125CA- 121	120		0.21	1.10

DSC Part Number	Inductance (μH)		DC Resistance (Ω) MAX	Rated current (A) MAX
		公差		
TZNL105125CA- 151	150	±10%	0.25	1.10
TZNL105125CA- 181	180		0.30	1.00
TZNL105125CA- 201	200		0.36	0.95
TZNL105125CA- 221	220		0.38	0.85
TZNL105125CA- 251	250		0.41	0.78
TZNL105125CA- 271	270		0.43	0.75
TZNL105125CA- 301	300		0.51	0.72
TZNL105125CA- 331	330		0.55	0.69
TZNL105125CA- 471	470		0.74	0.56
TZNL105125CA- 102	1,000		1.65	0.38
TZNL105125CA- 122	1,200		1.90	0.34
TZNL105125CA- 152	1,500		2.45	0.32
TZNL105125CA- 162	1,600		2.55	0.29
TZNL105125CA- 222	2,200		3.55	0.27
TZNL105125CA- 302	3,000		4.40	0.21
TZNL105125CA- 472	4,700		7.45	0.15
TZNL105125CA- 802	8,000		13.7	0.13
TZNL105125CA- 123	12,000		21.4	0.10
TZNL105125CA- 153	15,000		27.2	0.09

### ■ Conditions/測定条件

- (1)The rated DC current is that which cause a 10% inductance reduction from the initial value or inductor surface temperature to rise by 20°C, whichever is smaller.  
定格電流は、インダクタンスが初期値から10%低下又は、表面温度が20°C上昇のいずれか小さい方の値です。
- (2)The measuring frequency and surroundings temperature are 100 kHz and 25°C, respectively.  
測定周波数:100kHz。測定周囲温度:25°C。